

NEW

# SG 50 / 60KTL-M



## Efficient and flexible

- High flexibility for complex configurations due to 4 MPP trackers and a wide input voltage range
- High yields due to efficiency up to 98.9% and EU efficiency of 98.5%
- Output power up to 55kVA / 55kW(SG50KTL-M) and 66kVA / 66kW(SG60KTL-M) at power factor of 1



## Grid-friendly

- Active power continuously adjustable (0~100%)
- Fulfill a variety of reactive power adjustment requirements with power factor 0.8 overexcited ~0.8 underexcited
- Integrated LVRT and HVRT function
- Includes RS-485 interface, compatible with all common monitoring systems



## Intelligent design

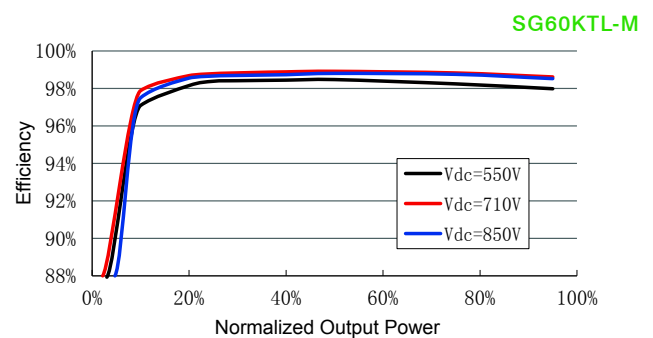
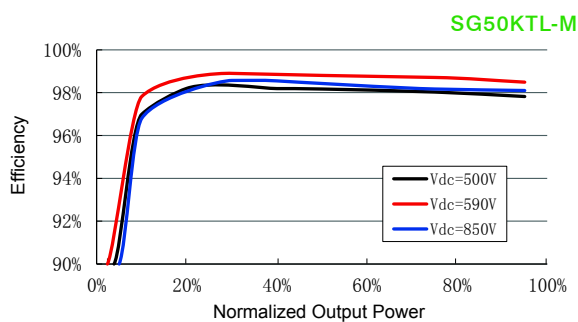
- Integrated combiner box: 12 x MC4 connector pairs with DC string fuses, Type II overvoltage protection and DC switch, more safety and lower the system cost



## Reliable

- Product certification: TÜV, CE, G59/3, BDEW, CGC and GB-T19964
- Manufacturer certification: ISO 9001, ISO 14001, OHSAS 18000

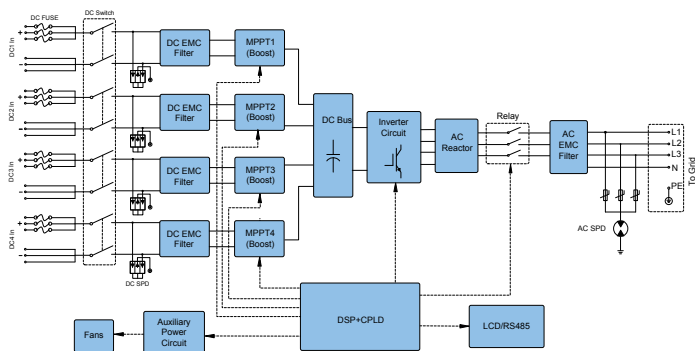
## Efficiency Curve



Input Side Data	SG50KTL-M	SG60KTL-M
Max. PV input power	56200W	67500W
Max. PV input voltage	1000V	
Startup voltage	300V	
Nominal input voltage	620V	710V
MPP voltage range	300~950V	
MPP voltage range for nominal power	500~850V	550~850V
No. of MPPTs	4	
Max. number of PV strings per MPPT	3	
Max. PV input current	104A (26A/26A/26A/26A)	112A (28A/28A/28A/28A)
Max. current for input connector	12A	
Output Side Data		
Nominal AC output power	50000W	60000W
Max AC output power (PF=1)	55000W	66000W
Max. AC output apparent power	55000VA	66000VA
Max. AC output current	80A	
Nominal AC voltage	3/N/PE, 230/400Vac	3/PE, 480Vac
AC voltage range	310~480Vac	422~528Vac
Nominal grid frequency	50Hz/60Hz	
Grid frequency range	45~55Hz /55~ 65Hz	
THD	<3% (Nominal power)	
DC current injection	<0.5%In	
Power factor	>0.99@default value at nominal power, (adj. 0.8 leading ~ 0.8 lagging)	
Protection		
Anti-islanding protection	Yes	
LVRT	Yes	
DC reverse connection protection	Yes	
AC short circuit protection	Yes	
Leakage current protection	Yes	
DC switch	Yes	
DC fuse	Yes	
Overvoltage protection	Type II DIN rail surge arrester (40kA)	
System Data		
Max. efficiency	98.90%	
Max. European efficiency	98.50%	98.60%
Isolation method	Transformerless	
Ingress protection rating	IP65	
Night power consumption	<1W	
Operating ambient temperature range	-25~60°C (>50°C derating)	
Allowable relative humidity range	0~100%	
Cooling method	Smart forced air cooling	
Max. operating altitude	4000m (>3000m derating)	
Display	Graphic LCD	
Communication	RS485	
DC connection type	MC4	
AC connection type	Screw Clamp terminal	
Certification	VDE0126-1-1, EN621091, EN621092, G59/3, BDEW, GB/T 19964, GB/T 29319	
Mechanical Data		
Dimensions (W*H*D)		665*906*256 mm
Mounting method		Wall bracket
Weight		70kg

Circuit Diagram

SG50KTL-M



SG60KTL-M

