

Panasonic

All Rights Reserve © 2016 COPYRIGHT Anchor Electricals Pvt. Ltd.
Specifications are subjected to change without notice
Printed in India

Panasonic

Professional Lighting



Marketed in India by:

Anchor Electricals Pvt. Ltd.
A member of the Panasonic Group

3rd Floor, B Wing, I-Think Techno Campus, Pokhran Road No. 2, Thane (W), Thane 400 607. Maharashtra
T: (9122) 30418888 | E: info@anchor-world.com | W: www.anchor-world.com
URL: <http://panasonic.net/ecosolutions/lighting/in/>

Panasonic LED

Price List w.e.f 2016 August

Lighting the way to a better world

Light does not only illuminate objects. It also dramatically enhances the atmosphere of living spaces as well as allows for the occupants to feel relaxed and at ease. LED lighting, in particular, offers greater energy savings along with higher colour rendering properties, opening up a new realm of possibilities.

For over 60 years, Panasonic has continued to advance lighting in terms of technology, quality, and design methods for spaces. Panasonic now enjoys a proven track record as a trusted, first-choice brand of lighting products in Japan.*

“Panasonic LED” will continue to achieve greater energy savings while enriching various living spaces and urban environments around the world.

Experience for yourself how our LED lighting products add value to any application.

*Panasonic survey in September 2014

Panasonic LED

More value with Panasonic LED



MORE BEAUTY

Uniformly bright light and distinct shadows provides maximum lighting quality to create living environments with more beauty.



MORE COMFORT

Optimal lighting solutions created with Panasonic Lighting design methods for spaces make everyday living more comfortable.



MORE RELIABILITY

Uncompromised quality following stringent internal safety standards along with international standards to ensure long-term reliability.

Panasonic's UNIQUE PROFESSIONAL ASSISTANCE

Panasonic Professional Lighting offers 3 core values; Beauty, Comfort, and Reliability.

In addition to the 3 core values we also provide assistance through our light engineering support, technical tools and Panasonic unique Technologies.

We provide solutions that balance out customer's business success and environmental & social sustainability.

Panasonic provides professional lighting using its unique technical know-how.

01

Planning and basic design



Creating the lighting concept



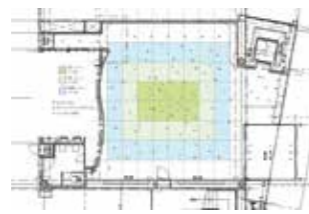
A sketched image of the proposal



Collaboration with designers and architects.

02

Design and implementation



Light distribution plan



Considering the human sense of brightness through Feu



Verification by real CG

03

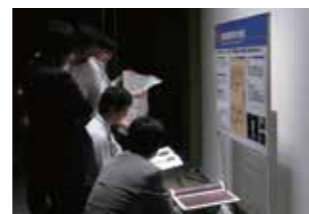
Testing and on-site validation



Use various lamps to test contrast effects



Experimentation through a mockup



Examination of the appearance of the light distribution and colour

04

Validation after completion



Confirmation and adjustment on site at time of delivery



Validation of illumination and Feu after delivery



Accumulation of know-how

INDEX

01

Commercial Lighting

05-24

1. Down Light
2. Base Light
3. Track Light
4. Suspended Bay Light
5. Strip Light
6. Flood Light

02

Industrial Lighting

25-32

1. Batten Light
2. Bay Light
3. Flood Light

03

Outdoor Lighting

33-42

1. Post Top Light
2. Bollard Light
3. Step Light
4. Spike Light
5. In-Ground Light
6. Wall mount Light
7. Up Down Light

04

Hospitality Lighting

43-59

1. Down Light
2. Strip Light

05

PROiD

60-64

1. PROiD

06

Case Studies

65-72

1. Crestron
2. Brigade
3. Anchor

COMMERCIAL LIGHTING



Down Light

Recess mounting circular LED downlight luminaire with die-cast aluminium housing in white powder coating finish, specially designed heat sink, anti glare diffuser and separate energy efficient electronic driver.



- Input Voltage : AC220-240V, 50/60Hz
- Voltage operating range : 100-240V
- 5W & 7W – LPF
10W – HPF
- High Surge Protection : 2.5KV
- Long life of LEDs 50,000*BH (L70)
- Confirmed to IEC Safety Standard (IEC60598, IEC61347)
- Optics : PMMA lens for better light distribution
- With Driver

Application areas



| | 5W | 7W | 10W |
|------------------------|--------------------|--------------------|--------------------|
| Cut Out Dimension (mm) | Ø85 | Ø95 | Ø130 |
| 3000K | ADL01R053 300lm | ADL01R073 400lm | ADL01R103 700lm |
| 4000K | ADL01R054 330lm | ADL01R074 450lm | ADL01R104 750lm |
| 6000K | ADL01R056 350lm | ADL01R076 480lm | ADL01R106 800lm |
| Weight | 0.18kg | 0.22kg | 0.46kg |
| MRP | 1150 | 1475 | 1825 |
| Dimension | | | |
| Photometric data | | | |

*Condition Apply

Down Light

Recess mounting circular LED downlight luminaire with die-cast aluminium housing in white powder coating finish, specially designed heat sink, anti glare diffuser and separate energy efficient electronic driver.



- Input Voltage : AC220-240V, 50/60Hz
- Voltage operating range : 100-240V
- 12W & 15W & 20W – HPF
- High Surge Protection : 2.5KV
- Long life of LEDs 50,000*BH (L70)
- Confirmed to IEC Safety Standard (IEC60598, IEC61347)
- Optics : PMMA lens for better light distribution
- With Driver

Application areas



| | 12W | 15W | 20W |
|------------------------|--------------------|---------------------|---------------------|
| Cut Out Dimension (mm) | Ø150 | Ø175 | Ø175 |
| 3000K | ADL01R123 800lm | ADL01R153 950lm | ADL01R203 1300lm |
| 4000K | ADL01R124 850lm | ADL01R154 1000lm | ADL01R204 1400lm |
| 6000K | ADL01R126 900lm | ADL01R156 1100lm | ADL01R206 1500lm |
| Weight | 0.53kg | 0.60kg | 0.62kg |
| MRP | 2250 | 2425 | 3400 |
| Dimension | | | |
| Photometric data | | | |

*Condition Apply

Down Light

New recess mounting circular LED downlight luminaire for bright light equipped with die-cast aluminium housing with electrophoresis coating, exclusively designed heat sink, anti glare diffuser accompanied with intergrated energy efficient electronic driver.



- Input Voltage : AC220-240V, 50/60Hz
- Voltage operating range : 80-400V
- HPF
- High Surge Protection : 2.5KV
- Long life of LEDs 50,000*BH (L70)
- Confirmed to IEC Safety Standard (IEC60598, IEC61347)
- Optics : Polycarbonate diffuser for better light distribution
- With Driver

Application areas



| | 7W | 10W | 15W | 20W |
|------------------------|--------------------|--------------------|---------------------|---------------------|
| Cut Out Dimention (mm) | Ø100 | Ø120 | Ø170 | Ø200 |
| 3000K | ADL07R073 525lm | ADL07R103 750lm | ADL07R153 1120lm | ADL07R203 1500lm |
| 4000K | ADL07R074 560lm | ADL07R104 800lm | ADL07R154 1200lm | ADL07R204 1600lm |
| 6000K | ADL07R076 590lm | ADL07R106 850lm | ADL07R156 1270lm | ADL07R206 1700lm |
| Weight | 0.2kg | 0.24kg | 0.43kg | 0.55kg |
| MRP | 1700 | 2100 | 3200 | 4500 |
| Dimension | | | | |
| Photometric data | | | | |

*Condition Apply

Compact Down Light

New Compact Low Depth recess mount circular LED downlight luminaire offering optimum brightness and equipped with die-cast aluminium housing, exclusively designed heat sink, anti glare diffuser accompanied with seperate energy efficient electronic driver.



- Input Voltage : AC220-240V, 50/60Hz
- Voltage operating range : 80-330V
- HPF
- High Surge Protection : 2.5KV
- Long life of LEDs 50,000*BH (L70)
- Confirmed to IEC Safety Standard (IEC60598, IEC61347)
- Optics : Polycarbonate diffuser lens for better light distribution
- With Driver

Application areas



| | 5W | 10W | 15W | 20W |
|------------------------|--------------------|--------------------|---------------------|---------------------|
| Cut Out Dimention (mm) | Ø85 | Ø110 | Ø135 | Ø135 |
| 3000K | ADL08R053 320lm | ADL08R103 650lm | ADL08R153 1000lm | ADL08R203 1400lm |
| 4000K | ADL08R054 330lm | ADL08R104 660lm | ADL08R154 1050lm | ADL08R204 1450lm |
| 6000K | ADL08R056 350lm | ADL08R106 680lm | ADL08R156 1100lm | ADL08R206 1500lm |
| Weight | 0.12kg | 0.22kg | 0.22kg | 0.28kg |
| MRP | 1200 | 1675 | 2300 | 2900 |
| Dimension | | | | |
| Photometric data | | | | |

*Condition Apply

Down Light

Recess mounting circular LED luminaire with die-cast aluminium housing in white electrophoresis finish, specially designed heat sink and separate energy efficient electronic driver.



- Input Voltage : AC220-240V, 50/60Hz
- Voltage operating range : 80-330V
- LPF
- High Surge Protection : 2.5KV
- Long life of LEDs 50,000*BH (L70)
- Confirmed to IEC Safety Standard (IEC60598, IEC61347)
- Optics : Polycarbonate Diffuser
- With Driver

Application areas

- Residences
- Offices
- Corridors
- Shops
- Shopping Malls
- Showrooms
- Restaurants
- Hotels

| | 3W | 5W | 7W |
|------------------------|--------------------|--------------------|--------------------|
| Cut Out Dimension (mm) | Ø60 | | |
| 3000K | ADL03R033 250lm | ADL03R053 360lm | ADL03R073 500lm |
| 6000K | — | — | ADL03R076 550lm |
| Weight | 0.17kg | 0.17kg | 0.17kg |
| MRP | 1100 | 1750 | 1925 |
| Dimension | | | |
| Photometric data | | | |

*Condition Apply

Down Light

Recess mounting circular swivel type LED luminaire with die-cast aluminium housing in white electrophoresis finish, specially designed heat sink and separate energy efficient electronic driver.



- Input Voltage : AC220-240V, 50/60Hz
- Voltage operating range : 80-330V
- LPF
- High Surge Protection : 2.5KV
- Long life of LEDs 50,000*BH (L70)
- Confirmed to IEC Safety Standard (IEC60598, IEC61347)
- Optics : Polycarbonate Diffuser
- With Driver

Application areas

- Residences
- Offices
- Corridors
- Shops
- Shopping Malls
- Showrooms
- Restaurants
- Hotels

| | 3W | 5W |
|------------------------|--------------------|--------------------|
| Cut Out Dimension (mm) | Ø70 | |
| 3000K | ADL02R033 250lm | ADL02R053 360lm |
| Weight | 0.19kg | 0.19kg |
| MRP | 1125 | 1800 |
| Dimension | | |
| Photometric data | | |

*Condition Apply

Down Light

Recess mounting circular COB LED luminaire with die-cast aluminium housing in white powder coating finish, specially designed heat sink and separate energy efficient electronic driver.



- Input Voltage : AC220-240V, 50/60Hz
- Voltage operating range : 80-330V
- HPF
- High Surge Protection : 2.5KV
- Long life of LEDs 50,000*BH (L70)
- Confirmed to IEC Safety Standard (IEC60598, IEC61347)
- Optics : Polycarbonate Diffuser
- With Driver

Application areas

- Offices
- Corridors
- Shops
- Shopping Malls
- Showrooms
- Restaurants
- Hotels



- Input Voltage : AC220-240V, 50/60Hz
- Voltage operating range : 80-330V
- HPF
- High Surge Protection : 2.5KV
- Long life of LEDs 50,000*BH (L70)
- Confirmed to IEC Safety Standard (IEC60598, IEC61347)
- Optics : Polycarbonate Diffuser
- With Driver

Application areas

- Offices
- Corridors
- Shops
- Shopping Malls
- Showrooms
- Restaurants
- Hotels

| 25W | | 40W | |
|---------------------|------------------------|---------------------|--|
| ø130 | Cut Out Dimension (mm) | ø200 | |
| ADL03R253 1780lm | 3000K | ADL06R403 2800lm | |
| ADL03R256 1825lm | 6000K | ADL06R406 3000lm | |
| 0.84kg | Weight | 1.38kg | |
| 5875 | MRP | 7625 | |
| | Dimension | | |
| ADL03R256 | Photometric data | ADL06R406 | |

*Condition Apply

Down Light

Recess mounting circular LED downlight luminaire with die-cast aluminium housing in white powder coating finish, specially designed heat sink, anti glare diffuser and separate energy efficient electronic driver.



- Input Voltage : AC220-240V, 50/60Hz
- Voltage operating range : 80-330V
- HPF
- High Surge Protection : 2.5KV
- Long life of LEDs 50,000*BH (L70)
- Confirmed to IEC Safety Standard (IEC60598, IEC61347)
- Optics : Polycarbonate Diffuser
- With Driver

Application areas

- Offices
- Corridors
- Shops
- Shopping Malls
- Showrooms
- Restaurants
- Hotels

| 25W | |
|------------------------|---------------------|
| Cut Out Dimension (mm) | ø200 |
| 3000K | ADL05R253 1550lm |
| 4000K | ADL05R254 1630lm |
| 6000K | ADL05R256 1700lm |
| Weight | 1.47kg |
| MRP | 4200 |
| Dimension | |
| Photometric data | ADL05R256 |

*Condition Apply

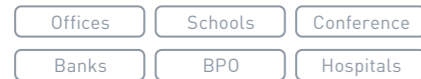
Base Light

Recess mounting LED luminaire with metal housing, anti glare diffuser and separate energy efficient electronic driver.



- Input Voltage : AC220-240V, 50/60Hz
- Voltage operating range : 100-240V
- HPF
- High Surge Protection : 2.5KV
- Long life of LEDs 50,000* BH (L70)
- Confirmed to IEC Safety Standard (IEC60598, IEC61347)
- Optics : PS diffuser for better light distribution
- With Driver

Application areas

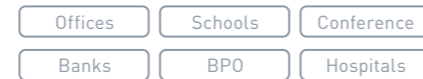


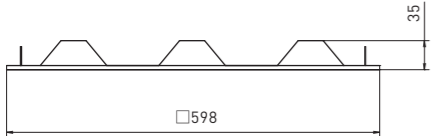

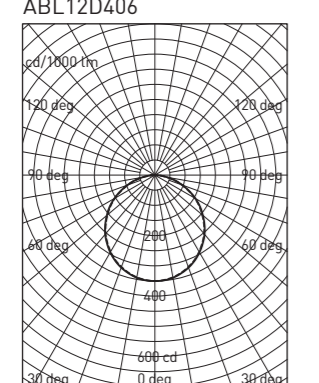
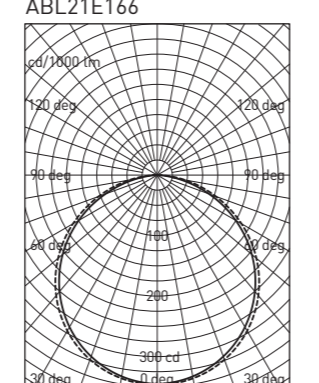
Ultra slim edge lit type LED panel luminaire with extruded aluminium housing, anti glare diffuser and separate energy efficient electronic driver.



- Input Voltage : AC220-240V, 50/60Hz
- Voltage operating range : 80-330V
- HPF
- High Surge Protection : 2.5KV
- Long life of LEDs 50,000* BH (L70)
- Confirmed to IEC Safety Standard (IEC60598, IEC61347)
- Optics : Polycarbonate Diffuser
- With Driver

Application areas



| 40W | | 16W | |
|---|------------------------|--|--|
| 588 x 588 | Cut Out Dimension (mm) | 290 x 290 | |
| ABL12D404 2800lm | 4000K | ABL21E164 1100lm | |
| ABL12D406 3000lm | 6000K | ABL21E166 1200lm | |
| 4.0kg | Weight | 0.77kg | |
| 8775 | MRP | 2775 | |
|  | Dimension |  | |
|  | Photometric data |  | |

*Condition Apply

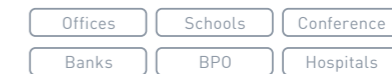
Base Light

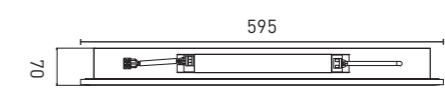
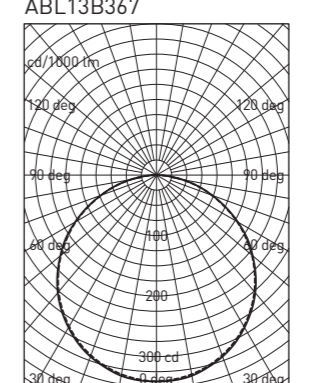
New deep type recess Mounting square LED luminaires equipped with CRCA powder coating housing, anti glare diffuser with separate energy efficient electronic driver.



- Input Voltage: AC220-240V, 50/60Hz
- Voltage operating range : 80-330V
- HPF
- High Surge Protection : 2.5KV
- Long life of LEDs 50,000* BH (L70)
- Confirmed to IEC Safety Standard(IEC60598, IEC61347)
- Optics: Polycarbonate diffuser better light distribution
- With Driver

Application areas



| 36W | |
|------------------------|---|
| Cut Out Dimension (mm) | 585 X 585 |
| 3000K | ABL13B363 2880lm |
| 4000K | ABL13B364 3050lm |
| 6000K | ABL13B367 3200lm |
| Weight | 3kg |
| MRP | 5000 |
| Dimension |  |
| Photometric data |  |

*Condition Apply

Base Light

Ultra slim edge lit type LED panel luminaire with extruded aluminium housing, anti glare diffuser and separate energy efficient electronic driver.



- Input Voltage : AC220-240V, 50/60Hz
- Voltage operating range : 80-330V
- HPF
- High Surge Protection : 2.5KV
- Long life of LEDs 50,000*BH (L70)
- Confirmed to IEC Safety Standard (IEC60598, IEC61347)
- Optics : Polycarbonate Diffuser
- With Driver

Application areas

- Offices
- Schools
- Conference
- Banks
- BPO
- Hospitals

Recess mounting rectangular LED luminaire with metal housing, anti glare diffuser and separate energy efficient electronic driver.



- Input Voltage : AC220-240V, 50/60Hz
- Voltage operating range : 80-330V
- HPF
- High Surge Protection : 2.5KV
- Long life of LEDs 50,000*BH (L70)
- Confirmed to IEC Safety Standard (IEC60598, IEC61347)
- Optics : Polycarbonate Diffuser
- With Driver

Application areas

- Offices
- Schools
- Conference
- Banks
- BPO
- Hospitals

| 36W | | 36W | |
|---------------------|------------------------|---------------------|--|
| 1190 X 290 | Cut Out Dimension (mm) | 1190 X 290 | |
| ABL24E364 2700lm | 4000K | ABL24B364 2400lm | |
| ABL24E366 2800lm | 6000K | ABL24B366 2500lm | |
| 3.66kg | Weight | 3.3kg | |
| 8900 | MRP | 8975 | |
| | Dimension | | |
| | Photometric data | | |

*Condition Apply

Base Light

Ultra slim edge lit type LED panel luminaire with extruded aluminium housing, anti glare diffuser and separate energy efficient electronic driver.



- Input Voltage : AC220-240V, 50/60Hz
- Voltage operating range : 100-240V
- HPF
- High Surge Protection : 2.5KV
- Long life of LEDs 50,000*BH (L70)
- Confirmed to IEC Safety Standard (IEC60598, IEC61347)
- Optics : PS diffuser for better light distribution
- With Driver

Application areas

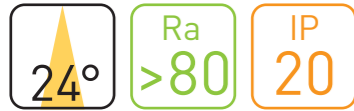
- Offices
- Schools
- Conference
- Banks
- BPO
- Hospitals

| 40W | | 40W | |
|---------------------|------------------------|---------------------|--|
| 585 X 585 | Cut Out Dimension (mm) | 588 X 588 | |
| ABL12E404 2800lm | 4000K | ABL12B404 3000lm | |
| ABL12E406 3000lm | 6000K | ABL12B406 3200lm | |
| 4.3kg | Weight | 3.5kg | |
| 8500 | MRP | 7075 | |
| | Dimension | | |
| | Photometric data | | |

*Condition Apply

Track Light

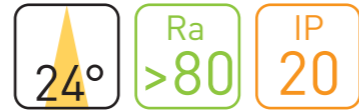
New aesthetically designed LED track light luminaire equipped with aluminium die-cast housing, exclusively designed heat sink suitable for 3 circuit track system.



- Input Voltage : AC220-240V, 50/60Hz
- Voltage operating range : 80-400V
- HPF
- High Surge Protection : 2.5KV
- Long life of LEDs 50,000*BH (L70)
- Confirmed to IEC Safety Standard (IEC60598, IEC61347)
- Optics : Polycarbonate Diffuser
- With Driver

Application areas

- Shops
- Shopping Malls
- Showrooms
- Art Galleris



- Input Voltage : AC220-240V, 50/60Hz
- Voltage operating range : 80-400V
- HPF
- High Surge Protection : 2.5KV
- Long life of LEDs 50,000*BH (L70)
- Confirmed to IEC Safety Standard (IEC60598, IEC61347)
- Optics : Polycarbonate Diffuser
- With Driver

Application areas

- Shops
- Shopping Malls
- Showrooms
- Art Galleris

| 10W | | 20W | |
|--------------------|------------------------|---------------------|------------------|
| N/A | Cut Out Dimention (mm) | N/A | |
| ATR020103 750lm | 3000K | ATR020203 1500lm | |
| ATR020106 800lm | 6000K | ATR020206 1600lm | |
| 0.3kg | Weight | 0.5kg | |
| 3775 | MRP | 6000 | |
| <p>Dimension</p> | <p>ATR020106</p> | <p>ATR020206</p> | <p>Dimension</p> |
| Photometric data | | | |

| Track | Surface type, 1m | | Recess type, 1m | |
|----------------|------------------|-----------|-----------------|-----------|
| | | ATR01S000 | | ATR01R000 |
| L x W x H (mm) | 1000 x 35 x 17 | | 1000 x 59 x 18 | |

*Condition Apply

Suspend Bay Light

Vertically suspended decorative type LED luminaire with aluminium housing, polycarbonate diffuser and with energy efficient electronic driver.



- Input Voltage : AC220-240V, 50/60Hz
- Voltage operating range : 80-330V
- HPF
- High Surge Protection : 2.5KV
- Long life of LEDs 50,000*BH (L70)
- Confirmed to IEC Safety Standard (IEC60598, IEC61347)
- With Driver

Application areas

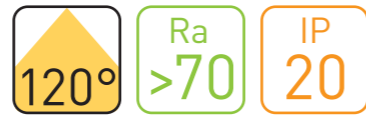
- Shopping Malls
- Showrooms
- Food courts
- Small Industries
- Warehouses

| 30W | |
|------------------------|---------------------|
| Cut Out Dimention (mm) | N/A |
| 3000K | ABY010303 2100lm |
| 6000K | ABY010306 2300lm |
| Weight | 2.73kg |
| MRP | 8575 |
| Dimension | |
| Photometric data | <p>ABY010306</p> |

*Condition Apply

Suspend Bay Light

New vertically suspended decorative type LED luminaire with aluminium housing and Reflector along with energy efficient electronic driver.



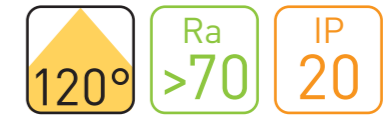
- Input voltage: AC220-240V, 50/60Hz
- Voltage operating range : 80-400V
- HPF
- High Surge Protection : 2.5KV
- Long life of LEDs 50,000* BH (L70)
- Confirmed to IEC Safety Standard (IEC60598, IEC61347)
- Optics : Polycarbonate Diffuser
- With Driver

Application areas

- Shopping Malls
- Showrooms
- Food courts
- Warehouses

Suspend Bay Light

New vertically suspended decorative type LED luminaire with aluminium housing and polycarbonate Reflector along with energy efficient electronic driver.



- Input voltage: AC220-240V, 50/60Hz
- Voltage operating range : 80-400V
- HPF
- High Surge Protection : 2.5KV
- Long life of LEDs 50,000* BH (L70)
- Confirmed to IEC Safety Standard (IEC60598, IEC61347)
- Optics : Polycarbonate Diffuser
- With Driver

Application areas

- Shopping Malls
- Showrooms
- Food courts
- Warehouses

| 50W | |
|------------------------|---------------------|
| Cut Out Dimension (mm) | N/A |
| 3000K | ABY020503 3750lm |
| 6000K | ABY020506 4000lm |
| Weight | 1.55kg |
| MRP | 12000 |
| Dimension | |
| Photometric data | <p>ABY020506</p> |

*Condition Apply

| 50W | |
|------------------------|---------------------|
| Cut Out Dimension (mm) | N/A |
| 3000K | ABY030503 3550lm |
| 6000K | ABY030506 3800lm |
| Weight | 1.65kg |
| MRP | 12000 |
| Dimension | |
| Photometric data | <p>ABY030506</p> |

*Condition Apply

Strip Light

New flexible LED strip light in 5mtrs length with 4.5W/Mtr power consumption and incorporates 30 LEDs/Mtr, available with wide viewing angle of 120 degrees, offer IP20 and IP 65 protection and equipped with separate energy efficient electronic driver



- Input Voltage : AC220-240V, 50/60Hz
- Voltage operating range : 175-265V
- HPF
- High Surge Protection : 1KV
- Long life of LEDs 50,000*BH (L70)
- Confirmed to IEC Safety Standard (IEC60598, IEC61347)
- Optics : Not applicable for IP20, Silica gel for IP65
- With Driver

Application areas

Cove Lighting Cabinet Lighting Decorative Lighting

Flood Light

Aesthetically designed LED floodlight luminaire with pressure die-cast housing, specially design heat sink with energy efficient electronic driver.



- Input Voltage : AC220-240V, 50/60Hz
- Voltage operating range : 80-330V
- HPF
- High Surge Protection : 2.5KV
- Long life of LEDs 50,000*BH (L70)
- Confirmed to IEC Safety Standard (IEC60598, IEC61347)
- Optics : Glass diffuser
- With Driver

Application areas

Sign board Buildings Shop boards Industries

| | 4.5W/m IP20 | 4.5W/m IP65 |
|------------------|--------------------|--------------------|
| 3000K | ASL013233 280lm | ASL017233 250lm |
| 4000K | ASL013234 300lm | ASL017234 270lm |
| 6000K | ASL013236 320lm | ASL017236 288lm |
| Weight | 0.35kg | 0.45kg |
| MRP | 3700 | 5000 |
| Dimension | | |
| Photometric data | <p>ASL013236</p> | <p>ASL017236</p> |

*Condition Apply

| | 15W | 30W |
|------------------|---------------------|---------------------|
| 6000K | AFL010156 1200lm | AFL010306 2400lm |
| Weight | 0.96kg | 1.82kg |
| MRP | 2900 | 7925 |
| Dimension | | |
| Photometric data | <p>AFL010156</p> | <p>AFL010306</p> |

*Condition Apply

INDUSTRIAL LIGHTING



Industrial Batten

Low maintenance & high performance industrial batten with separate LED Tube for direct replacement of conventional FTL luminaire.



- Input Voltage : AC220-240V, 50/60Hz
- Voltage operating range : 80-330V
- HPF
- High Surge Protection : 2.5KV
- Long life of LEDs 50,000*BH (L70)
- Confirmed to IEC Safety Standard (IEC60598, IEC61347)
- Optics : Polycarbonate
- With Driver

Application areas



Bay Light

Aesthetically designed Robust LED High Bay equipped with specially designed heat sink & reliable integrated energy efficient electronic driver to meet the different lighting requirement across industrial application suitable for easy replacement of conventional HID Lamps.



- Input Voltage : AC220-240V, 50/60Hz
- Voltage operating range : 80-330V
- HPF
- High Surge Protection : 4KV
- Long life of LEDs 50,000*BH (L70)
- Confirmed to IEC Safety Standard (IEC60598, IEC61347)
- Optics : Glass
- With Driver

Application areas



| | 20W | 40W |
|------------------|---------------------|---------------------|
| 3000K | ABT021203 1800lm | ABT021403 3600lm |
| 4000K | ABT021204 1880lm | ABT021404 3760lm |
| 6000K | ABT021206 2000lm | ABT021406 4000lm |
| Weight | ----- | ----- |
| MRP | 2500 | 4000 |
| Dimension | | |
| Photometric data | ABT021206 | ABT021406 |

*Condition Apply

| | 90W Wide Beam | 90W Narrow Beam |
|------------------|---------------------|---------------------|
| 4000K | ABY030904 9400lm | ABY040904 9400lm |
| 6500K | ABY030907 9880lm | ABY040907 9880lm |
| Weight | 3.9kg | 3.9kg |
| MRP | 20000 | 20000 |
| Dimension | | |
| Photometric data | ABY030907 | ABY040907 |

*Condition Apply

Bay Light

Aesthetically designed Robust LED High Bay equipped with specially designed heat sink & reliable integrated energy efficient electronic driver to meet the different lighting requirement across industrial application suitable for easy replacement of conventional HID Lamps.



- Input Voltage : AC220-240V, 50/60Hz
- Voltage operating range : 80-330V
- HPF
- High Surge Protection : 4KV
- Long life of LEDs 50,000*BH (L70)
- Confirmed to IEC Safety Standard (IEC60598, IEC61347)
- Optics : Glass
- With Driver

Application areas



Bay Light

Aesthetically designed Robust LED High Bay equipped with specially designed heat sink & reliable integrated energy efficient electronic driver to meet the different lighting requirement across industrial application suitable for easy replacement of conventional HID Lamps.



- Input Voltage : AC220-240V, 50/60Hz
- Voltage operating range : 80-330V
- HPF
- High Surge Protection : 4KV
- Long life of LEDs 50,000*BH (L70)
- Confirmed to IEC Safety Standard (IEC60598, IEC61347)
- Optics : Glass
- With Driver

Application areas



| | 120W Wide Beam | 120W Narrow Beam |
|------------------|----------------------|----------------------|
| 4000K | ABY030CD4 12800lm | ABY040CD4 12800lm |
| 6500K | ABY030CD7 13570lm | ABY040CD7 13570lm |
| Weight | 4.9kg | 4.9kg |
| MRP | 24000 | 24000 |
| Dimension | | |
| Photometric data | <p>ABY030CD7</p> | <p>ABY040CD7</p> |

*Condition Apply

| | 150W Wide Beam | 150W Narrow Beam |
|------------------|----------------------|----------------------|
| 4000K | ABY030FG4 15385lm | ABY040FG4 15385lm |
| 6500K | ABY030FG7 16368lm | ABY040FG7 16368lm |
| Weight | 4.9kg | 4.9kg |
| MRP | 28000 | 28000 |
| Dimension | | |
| Photometric data | <p>ABY030FG7</p> | <p>ABY040FG7</p> |

*Condition Apply

Flood Light

Ascetically designed LED Flood Light Luminarie equipped with specially designed heat sink, reliable integrated energy efficient electronic driver which is suitable for Easy replacement of Conventional Flood Light.



- Input voltage: AC220-240V, 50/60Hz
- Voltage operating range : 80-330V
- HPF
- High Surge Protection : 4KV
- Long life of LEDs 50,000* BH (L70)
- Confirmed to IEC Safety Standard (IEC60598, IEC61347)
- Optics : Glass
- With Driver

Application areas



Flood Light

Ascetically designed LED Flood Light Luminarie equipped with specially designed heat sink, reliable integrated energy efficient electronic driver which is suitable for Easy replacement of Conventional Flood Light.



- Input voltage: AC220-240V, 50/60Hz
- Voltage operating range : 80-330V
- HPF
- High Surge Protection : 4KV
- Long life of LEDs 50,000* BH (L70)
- Confirmed to IEC Safety Standard (IEC60598, IEC61347)
- Optics : Glass
- With Driver

Application areas



| | 50W | 90W |
|------------------|---------------------|---------------------|
| 6000K | AFL020506 4880lm | AFL020906 9200lm |
| Weight | 1.6kg | 2.9kg |
| MRP | 10000 | 14000 |
| Dimension | | |
| Photometric data | | |

*Condition Apply

| | 120W |
|------------------|----------------------|
| 6000K | AFL020CD6 10800lm |
| Weight | 2.9kg |
| MRP | 20000 |
| Dimension | |
| Photometric data | |

*Condition Apply

OUTDOOR LIGHTING



Bollard Light

Decorative & cylindrical shape LED Bollard Light with integrated LED Driver offers comfortable softlight, high durability & IP 65 protection



- Input Voltage : AC220-240V, 50/60Hz
- Voltage operating range : 80-330V
- HPF
- High Surge Protection : 2.5KV
- Long life of LEDs 50,000* BH (L70)
- Confirmed to IEC Safety Standard (IEC60598, IEC61347)
- Optics : PMMA
- With Driver

Application areas

Garden lighting Path ways Landscape area

Step Light

Robust and reliable LED step Light with aluminum housing offers uniform light distribution, high durability and IP65 Protection



- Input voltage: AC220-240V, 50/60Hz
- Voltage operating range : 80-330V
- HPF
- High Surge Protection : 2.5KV
- Long life of LEDs 50,000* BH (L70)
- Confirmed to IEC Safety Standard (IEC60598, IEC61347)
- Optics : PMMA
- With Driver

Application areas

Garden area Landscape area

| 6W | |
|------------------|--------------------|
| 3000K | ABD010063 200lm |
| 4000K | ABD010064 215lm |
| 6000K | ABD010066 230lm |
| Weight | 1.8kg |
| MRP | 10000 |
| Dimension | |
| Photometric data | |

*Condition Apply

| 3W | |
|------------------|--------------------|
| 4000K | ASE010034 135lm |
| 6000K | ASE010036 144lm |
| Weight | 0.25kg |
| MRP | 3000 |
| Dimension | |
| Photometric data | |

*Condition Apply

Spike Light

Stylish, Robust, reliable spike Light/ Bush Light with aluminum housing offers uniform light distribution with IP65 Protection suitable to provide accent lighting for verity of application.



- Input voltage: AC220-240V, 50/60Hz
- Voltage operating range : 80-330V
- HPF
- High Surge Protection : 2.5KV
- Long life of LEDs 50,000* BH (L70)
- Confirmed to IEC Safety Standard (IEC60598, IEC61347)
- Optics : PMMA
- With Driver

Application areas

Garden area Landscape area

In-Ground Light

Stylish, Robust & reliable in ground light with aluminum housing offers uniform light distribution with IP 67 protection.



- Input Voltage : AC220-240V, 50/60Hz
- Voltage operating range : 80-330V
- HPF
- High Surge Protection : 4KV
- Long life of LEDs 50,000* BH (L70)
- Confirmed to IEC Safety Standard (IEC60598, IEC61347)
- Optics : PMMA
- With Driver

Application areas

Garden lighting Path ways Landscape area

| | 6W |
|------------------|--|
| 3000K | ASK010063 310lm |
| 6000K | ASK010066 345lm |
| RED | ASK01006R 135lm |
| GREEN | ASK01006G 284lm |
| AMBER | ASK01006A 280lm |
| Weight | 0.7kg |
| MRP | 5000 |
| Photometric data | <div style="display: flex; justify-content: space-around;"> <div style="text-align: center;"> <p>ASK010066</p> </div> <div style="text-align: center;"> <p>Dimension</p> </div> </div> |

*Condition Apply

| | 3W | 9W | 18W |
|------------------|--------------------|--------------------|---------------------|
| 3000K | AGL010033 243lm | AGL010093 730lm | AGL010183 1220lm |
| 6000K | AGL010036 270lm | AGL010096 808lm | AGL010186 1339lm |
| RED | AGL01003R 79lm | AGL01009R 236m | AGL01018R 472lm |
| GREEN | AGL01003G 152lm | AGL01009G 459lm | AGL01018G 919lm |
| AMBER | AGL01003A 150lm | AGL01009A 450lm | AGL01018A 900lm |
| Weight | 1.4kg | 2.4kg | 2.4kg |
| MRP | 6500 | 9500 | 11500 |
| Dimension | | | |
| Photometric data | <p>AGL010036</p> | <p>AGL010096</p> | <p>AGL010186</p> |

*Condition Apply

Up Down Light

Surface mounted decorative LED Up Down light with aluminum housing offers uniform light distribution with IP65 protection suitable for wall mount application.



- Input Voltage : AC220-240V, 50/60Hz
- Voltage operating range : 80-330V
- HPF
- High Surge Protection : 2.5KV
- Long life of LEDs 50,000*BH (L70)
- Confirmed to IEC Safety Standard (IEC60598, IEC61347)
- Optics : PMMA
- With Driver

Application areas

Garden lighting Landscape area

Up Down Light

Surface mounted decorative LED Up Down light with aluminum housing offers uniform light distribution with IP65 protection suitable for wall mount application.



- Input Voltage : AC220-240V, 50/60Hz
- Voltage operating range : 80-330V
- HPF
- High Surge Protection : 2.5KV
- Long life of LEDs 50,000*BH (L70)
- Confirmed to IEC Safety Standard (IEC60598, IEC61347)
- Optics : PMMA
- With Driver

Application areas

Garden lighting Landscape area

| 4W | |
|------------------|--------------------|
| 3000K | AUD010043 290lm |
| 4000K | AUD010044 300lm |
| 6000K | AUD010046 320lm |
| Weight | 0.75kg |
| MRP | 7500 |
| Dimension | |
| Photometric data | <p>AUD010046</p> |

*Condition Apply

| 6W | |
|------------------|--------------------|
| 3000K | AUD020063 390lm |
| 4000K | AUD020064 405lm |
| 6000K | AUD020066 430lm |
| Weight | 0.45kg |
| MRP | 8000 |
| Dimension | |
| Photometric data | <p>AUD020066</p> |

*Condition Apply

Post Top Light

Decorative, Robust and reliable LED post Top with aluminum housing offers uniform Light distribution, high durability and IP65 Protection.



- Input Voltage : AC220-240V, 50/60Hz
- Voltage operating range : 80-330V
- HPF
- High Surge Protection : 4KV
- Long life of LEDs 50,000* BH (L70)
- Confirmed to IEC Safety Standard (IEC60598, IEC61347)
- Optics : PMMA
- With Driver

Application areas

Garden lighting Path ways Landscape area

Wall Mount Light

Surface mounted decorative & reliable in ground light with aluminum housing offers uniform light distribution with IP65 protection.



- Input Voltage : AC220-240V, 50/60Hz
- Voltage operating range : 80-330V
- HPF
- High Surge Protection : 4KV
- Long life of LEDs 50,000* BH (L70)
- Confirmed to IEC Safety Standard (IEC60598, IEC61347)
- Optics : PMMA
- With Driver

Application areas

Garden lighting Path ways Landscape area

| | 25W | 40W |
|------------------|---------------------|---------------------|
| 3000K | APT010253 2750lm | APT010403 4400lm |
| 4000K | APT010254 2870lm | APT010404 4610lm |
| Weight | 8kg | 8kg |
| MRP | 30000 | 38000 |
| Dimension | | |
| Photometric data | <p>APT010254</p> | |

*Condition Apply

| | 10W |
|------------------|--------------------|
| 3000K | AWB010103 450lm |
| 4000K | AWB010104 470lm |
| 6000K | AWB010106 497lm |
| Weight | 1.6kg |
| MRP | 6500 |
| Dimension | |
| Photometric data | <p>AWB010106</p> |

*Condition Apply

HOSPITALITY LIGHTING



HOSPITALITY

In the hospitality industry, lighting plays a vital role in creating the right ambience. We have a host of custom lighting solutions that are perfect for all kinds of hospitality ideas.



GUEST ROOM



CORRIDOR



BANQUET HALL



Flexible Strip Light



Glareless DL



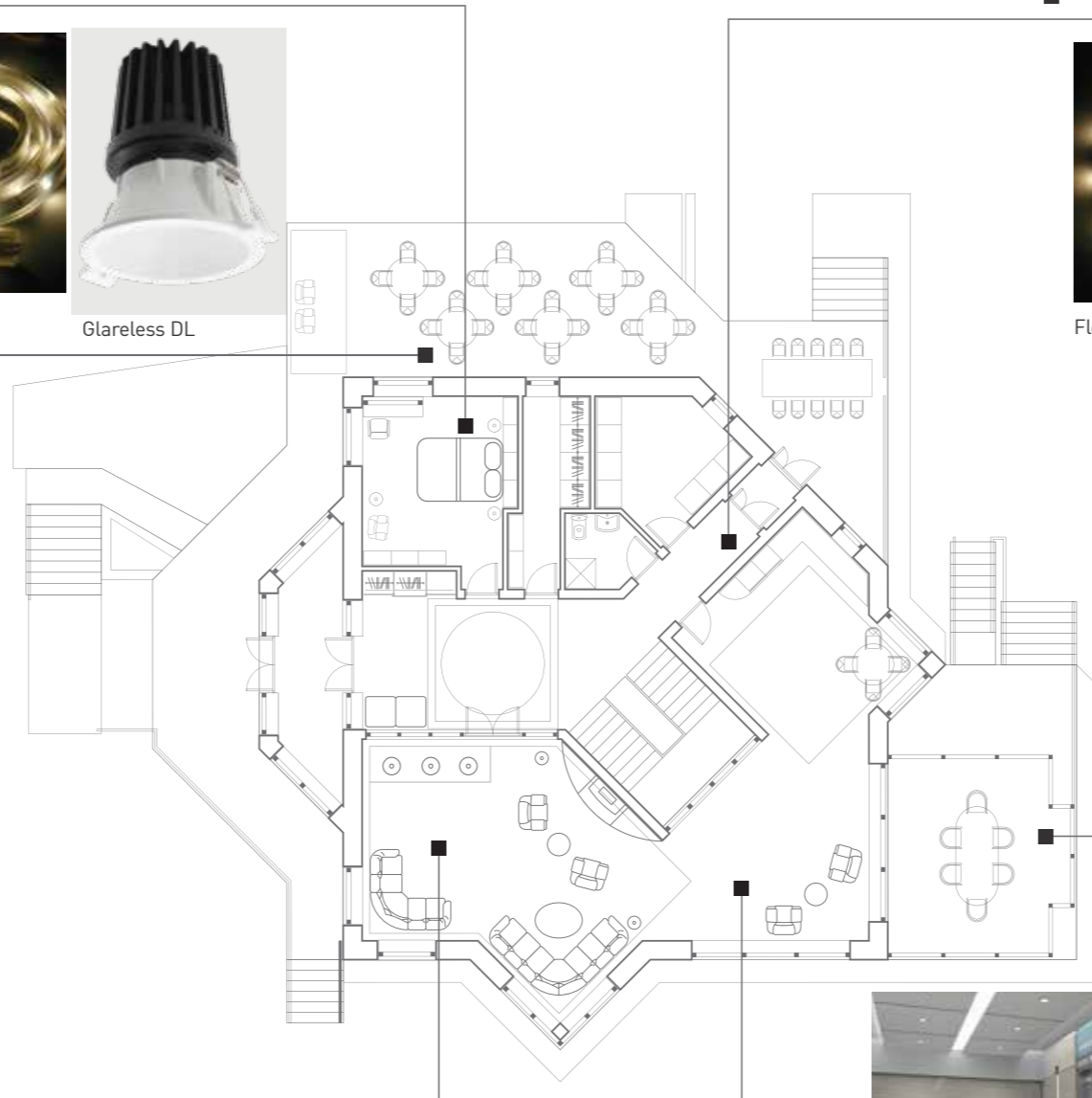
Flexible Strip Light



Glareless DL



Glareless DL



CONFERENCE



RECEPTION



Base Light



ELEVATOR HALL



Flexible Strip Light



Glareless Adjustable



Space Player



Pin Hole DL

For tricky spaces such as passages, these lights can create magic. It can transform the space by making it look roomier or brighter.

CORRIDOR

1. Classic Ambience

Glareless downlights are very versatile, they allow you to illuminate an entire space or just a portion of any space, creating a very elegant and classy ambience.



Focus Lighting



Glareless Down Light

2. Calming Ambience

Strip lights enhance almost any space, they are particularly known for creating a luxurious feel to even the most mundane spaces.



Indirect Lighting



Flexible Strip Light

3. Luxurious Ambience

A combination of strip lights and glareless downlights can dramatically transform any room. It can create an ultra-luxury ambience by illuminating the right spaces to the right degree.



Indirect Lighting + Direct Lighting

GUEST ROOM

Glareless Down Light



■ Classic Ambience

As the name suggests, glareless lighting solutions give off the right amount of light without the glare. This lighting solution is perfect for dining spaces as it enhances the ambience. It's also ideal for study/writing spaces as it isn't sharp or hurtful to the eye and makes reading or writing a pleasure.

Flexible Strip Light



■ Calming Ambience

If you create dark point and brightness point, you can vary the space and it will look Classy Space.

Glareless Down Light



■ Classic Ambience

Glareless down lights are uniquely created for reading. These lights illuminate a focus area without the glare or harshness.

Flexible Strip Light



■ Calming Ambience

Low position lighting works best for creating a relaxing environment. It's calm, diffused and easy on the eyes, while bright enough to highlight.

Glareless Down Light



■ Classic Ambience

For once, a focus light does not come with a glare. Making this the ideal option to light up paintings, glass and reflective surfaces.

RECEPTION

Glareless Adjustable Down Light



■ Classic Ambience

Lighting a photo frame can be very tricky. With our glareless adjustable down lights you don't have to worry about reflections or sharpness.



Space Player



■ Classic Ambience

This unique solution is a light plus projector. It has the dual benefits of highlighting and illuminating any object or surface you want.



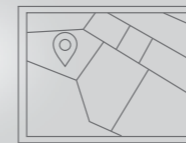
Flexible Strip Light



■ Calming Ambience

Indirect strip lights illuminate the room by projecting brightness on the ceilings. This creates an illusion of spaciousness and makes a room appear to be bigger.

Panasonic
HOTEL



Glareless Down Light



■ Classic Ambience

Glareless downlights are very similar to spotlights, but without the intensity and harshness. They are perfect for illuminating spaces where people generally gather.

Down Light

Water Proof Recess mounting Circular LED Luminaire with die-cast aluminum housing in white electrophoresis finish, specially designed heat sink and separate energy efficient electronic driver.



- Input Voltage : AC220-240V, 50/60Hz
- Voltage operating range : 80-330V
- HPF
- High Surge Protection : 2.5KV
- Long life of LEDs 50,000*BH (L70)
- Confirmed to IEC Safety Standard (IEC60598, IEC61347)
- Optics : Polycarbonate Diffuser
- With Driver

Application areas

Showrooms Restaurants Hotels

Down Light Adjustable

Recess Mounting Adjustable type Circular LED Luminaire with die-cast aluminum housing in white electrophoresis finish, specially designed heat sink and separate energy efficient electronic driver.



- Input Voltage : AC220-240V, 50/60Hz
- Voltage operating range : 80-330V
- HPF
- High Surge Protection : 2.5KV
- Long life of LEDs 50,000*BH (L70)
- Confirmed to IEC Safety Standard (IEC60598, IEC61347)
- Optics : Polycarbonate Diffuser
- With Driver

Application areas

Showrooms Restaurants Hotels

| | 8W |
|------------------------|--------------------|
| Cut Out Dimension (mm) | Ø50 |
| 2700K | ADL27R082 415lm |
| 3000K | ADL27R083 430lm |
| Weight | 0.18kg |
| MRP | 2400 |
| Dimension | |
| Photometric data | <p>ADL27R083</p> |

*Condition Apply

| | 28W | 45W |
|------------------------|---------------------|---------------------|
| Cut Out Dimension (mm) | Ø125 | Ø130 |
| 2700K | ADL17R282 2100lm | ADL17R452 3450lm |
| 3000K | ADL17R283 2140lm | ADL17R453 3500lm |
| 4000K | ADL17R284 2160lm | ADL17R454 4000lm |
| Weight | 0.72kg | 0.96kg |
| MRP | 5300 | 7500 |
| Dimension | | |
| Photometric data | <p>ADL17R284</p> | <p>ADL17R454</p> |

* Dimmable product on request

*Condition Apply

Down Light

Recess Mounting Glareless Fix Type Circular LED Luminaire with die-cast aluminum housing in white electrophoresis finish, specially designed heat sink and separate energy efficient electronic driver.



- Input Voltage : AC220-240V, 50/60Hz
- Voltage operating range : 80-330V
- HPF
- High Surge Protection : 2.5KV
- Long life of LEDs 50,000*BH (L70)
- Confirmed to IEC Safety Standard (IEC60598, IEC61347)
- Optics : Polycarbonate Diffuser
- With Driver

Application areas

Showrooms Restaurants Hotels

Down Light Adjustable

Recess Mounting Glareless Adjustable type Circular LED Luminaire with die-cast aluminum housing in white electrophoresis finish, specially designed heat sink and separate energy efficient electronic driver.



- Input Voltage : AC220-240V, 50/60Hz
- Voltage operating range : 80-330V
- HPF
- High Surge Protection : 2.5KV
- Long life of LEDs 50,000*BH (L70)
- Confirmed to IEC Safety Standard (IEC60598, IEC61347)
- Optics : Polycarbonate Diffuser
- With Driver

Application areas

Showrooms Restaurants Hotels

| | 12W | 15W | 21W |
|------------------------|--------------------|--------------------|---------------------|
| Cut Out Dimension (mm) | Ø80 | Ø130 | Ø130 |
| 2700K | ADL19R122 410lm | ADL19R152 870lm | ADL19R212 1150lm |
| 3000K | ADL19R123 420lm | ADL19R153 900lm | ADL19R213 1200lm |
| Weight | 0.32kg | 0.96kg | 0.96kg |
| MRP | 3000 | 5000 | 6000 |
| Dimension | | | |
| Photometric data | | | |

* Dimmable product on request

*Condition Apply

| | 12W | 15W |
|------------------------|--------------------|--------------------|
| Cut Out Dimension (mm) | Ø80 | Ø130 |
| 2700K | ADL21R122 410lm | ADL21R152 870lm |
| 3000K | ADL21R123 420lm | ADL21R152 900lm |
| Weight | 0.32kg | 0.96kg |
| MRP | 4200 | 6500 |
| Dimension | | |
| Photometric data | | |

* Dimmable product on request

*Condition Apply

Down Light

Recess Mounting Pin Hole Fix Type Circular LED Luminaire with die-cast aluminum housing in white electrophoresis finish, specially designed heat sink and separate energy efficient electronic driver.



- Input Voltage : AC220-240V, 50/60Hz
- Voltage operating range : 80-330V
- HPF
- High Surge Protection : 2.5KV
- Long life of LEDs 50,000*BH (L70)
- Confirmed to IEC Safety Standard (IEC60598, IEC61347)
- Optics : PMMA
- With Driver

Application areas

Showrooms Restaurants Hotels

Down Light Adjustable

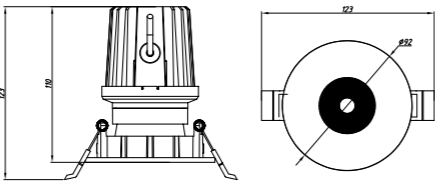
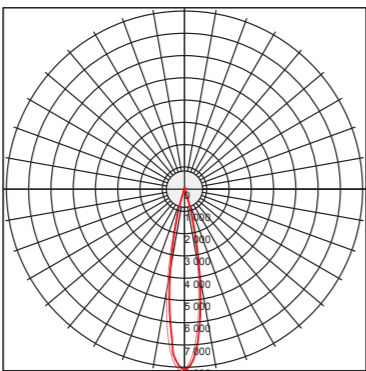
Recess Mounting Pin Hole Type Adjustable Circular LED Luminaire with die-cast aluminum housing in white electrophoresis finish, specially designed heat sink and separate energy efficient electronic driver.



- Input Voltage : AC220-240V, 50/60Hz
- Voltage operating range : 80-330V
- HPF
- High Surge Protection : 2.5KV
- Long life of LEDs 50,000*BH (L70)
- Confirmed to IEC Safety Standard (IEC60598, IEC61347)
- Optics : PMMA
- With Driver

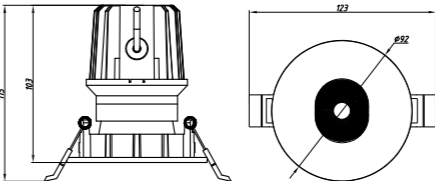
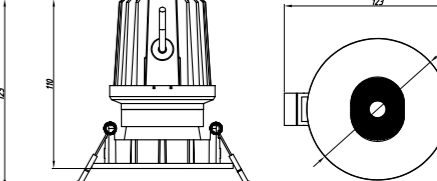
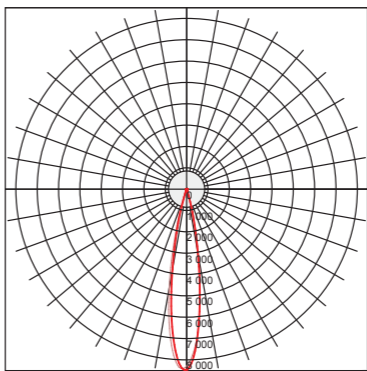
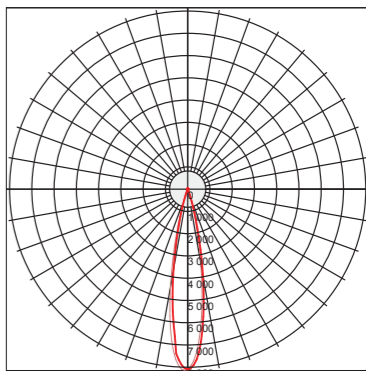
Application areas

Showrooms Restaurants Hotels

| | 12W |
|------------------------|--|
| Cut Out Dimension (mm) | Ø80 |
| 2700K | ADL23R122 530lm |
| 3000K | ADL23R123 550lm |
| Weight | 0.36kg |
| MRP | 2500 |
| Dimension |  |
| Photometric data | ADL23R123  |

* Dimmable product on request

*Condition Apply

| | 8W | 12W |
|------------------------|--|--|
| Cut Out Dimension (mm) | Ø80 | Ø80 |
| 2700K | ADL25R082 410lm | ADL25R122 530lm |
| 3000K | ADL25R083 420lm | ADL25R123 550lm |
| Weight | 0.26kg | 0.32kg |
| MRP | 2500 | 4200 |
| Dimension |  |  |
| Photometric data | ADL25R123  | ADL25R123  |

* Dimmable product on request

*Condition Apply

Strip Light

Flexible LED Strip Light in 5mtrs length with 6W/Mtr Power consumption available with wide viewing angle of 120 degrees offer IP 65 protection and equipped with separate energy efficient electronic driver.



- Input Voltage : AC220-240V, 50/60Hz
- Voltage operating range : 85-265V
- HPF
- High Surge Protection : 0.5KV
- Long life of LEDs 50,000*BH (L70)
- Confirmed to IEC Safety Standard (IEC60598, IEC61347)
- Optics : Silicon
- With Driver

Application areas

Showrooms Restaurants Hotels

| | 6W | 12W |
|------------------|--------------------|--------------------|
| 2700K | ASL028302 380lm | ASL024602 810lm |
| 3000K | ASL028303 390lm | ASL024603 830lm |
| 4000K | ASL028304 400lm | ASL024604 850lm |
| Weight | 0.28kg | 0.29kg |
| MRP | 4000 | 5000 |
| Dimension | | |
| Photometric data | ASL028304 | ASL024604 |

* Dimmable product on request

*Condition Apply

PROiD series

[All new]

Truly compact LED-based lighting system
Innovative integrated modular design. Select from 6 models
Excellent ultra-high total system efficacy, up to a maximum of 113 lm/W (at 5000k).

Application fields : Factories, Supermarkets, Convenience stores, Offices, Warehouses



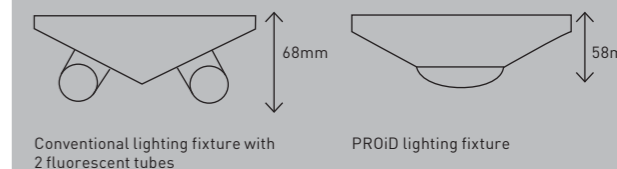
- Innovative integrated modular design can provide a truly compact LED-based lighting system.
- Various models suitable for each application can be provided: Select from 6 types of fixtures, 5 brightness levels and 3 color temperatures.
- Ultra-high total system efficacy up to a maximum of 113 lm/W can be achieved (at 5000k), which satisfies environmental lighting design requirements and enables energy savings approximately 50%.
- One set of PROiD achieves the brightness level of two straight tube lamp lighting fixtures and requires no installation of separate lamp tubes, simplifying the room space overall and enabling easy installation by users.
- Long service life of 40,000 hours (lumen-maintenance life of 70%); Unique structural design; Safe operation

Achieves beautiful light distribution



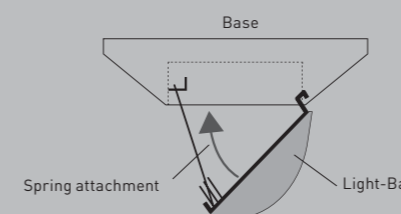
Innovative new design

- Provides the brightness level of a two straight tube lamp lighting fixture while having a shallower and lighter body than conventional fixtures.
- Makes the overall room space more stylish.
- Design does not collect much dust, making it easy to clean.



Quick and easy installation

- Base detaches to enable easy installation with high precision



New high diffusion panel technology

- PC materials with 90% or higher transmission factor are used for high-efficiency, long-life LEDs.
- Provides long-term durability and lighting performance.



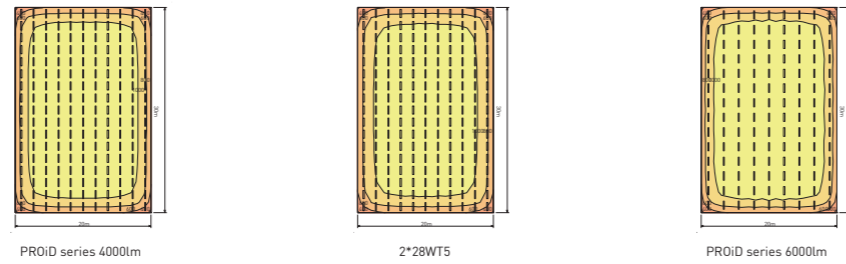
*Condition Apply

Comparison with conventional T5 lighting fixtures

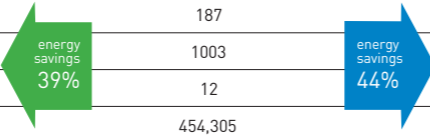
Comparison with Reflector type

[Calculation]
L20m x W30m x H3m
More than 1000lx at 0.75m above the floor level
Using 4745hours / year
Electricity fee 8Rs / kwh
*Comparison with T5 28Wx2 lighting fixture

Illuminance distribution diagram drawing



| | PROiD series 4000lm | 2*28W T5 | PROiD series 6000lm |
|-------------------------------------|---------------------|----------|---------------------|
| Number of lighting fixtures (units) | 187 | 187 | 126 |
| Average illuminance (lx) | 1003 | 1003 | 1031 |
| Power consumption (kw) | 7.3 | 12 | 6.7 |
| Electric fee / year (Rs) | 276,842 | 454,305 | 253,496 |

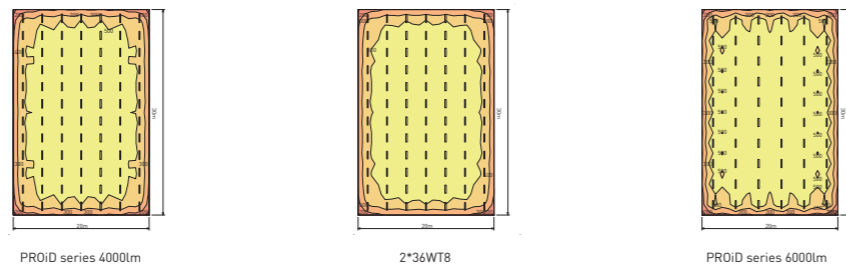


Comparison with conventional T8 lighting fixtures

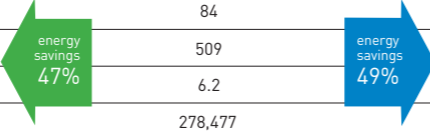
Comparison with Reflector type

[Calculation]
L20m x W30m x H3m
More than 500lx at 0.75m above the floor level
Using 5600hours / year
Electricity fee 8Rs / kwh
*Comparison with T8 36Wx2 lighting fixture

Illuminance distribution diagram drawing



| | PROiD series 4000lm | 2*36W T8 | PROiD series 6000lm |
|-------------------------------------|---------------------|----------|---------------------|
| Number of lighting fixtures (units) | 84 | 84 | 60 |
| Average illuminance (lx) | 501 | 509 | 523 |
| Power consumption (kw) | 3.3 | 6.2 | 3.2 |
| Electric fee / year (Rs) | 146,764 | 278,477 | 142,464 |

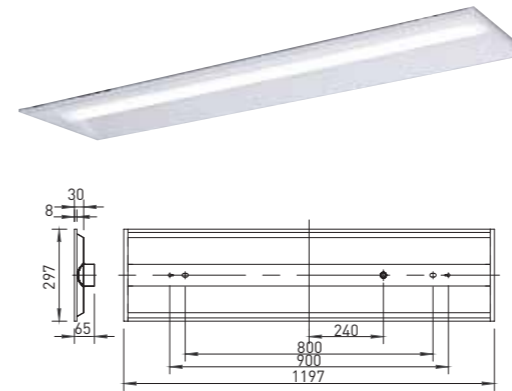


| Fixture type | Image | 100lm/W | | | 110lm/W | |
|----------------------|-------|----------|----------|----------|----------|----------|
| | | 2000Type | 3000Type | 4000Type | 6000Type | 9000Type |
| Batten type | | ○ ● ● | | ○ ● ● | ○ ● ● | |
| V-Shape type | | ○ ● ● | | ○ ● ● | ○ ● ● | |
| Reflector type | | ○ ● ● | | ○ ● ● | ○ ● ● | |
| Recessed type W150 | | ○ ● ● | | ○ ● ● | ○ ● ● | |
| Recessed type W300 | | ○ ● ● | | ○ ● ● | ○ ● ● | |
| Recessed type Square | | | ○ ● ● | | ○ ● ● | ○ ● ● |

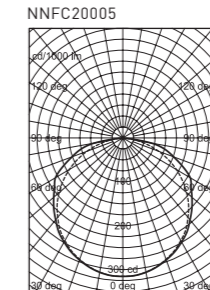
*Square lighting fixture efficiency: 100 lm/W

○ 4000K ● 5000K ● 6500K

Recessed type W300



Photometric data



Ra 80 IP 20

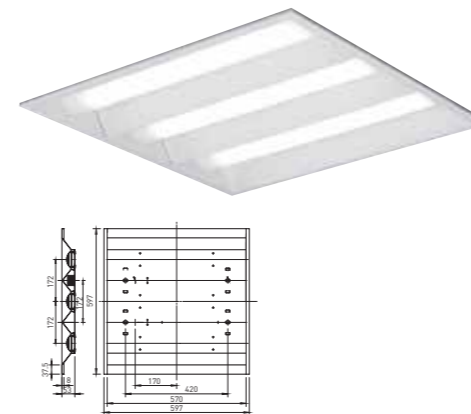
- Input Voltage : AC220V ±10%, 50/60Hz
- Long life of LEDs 50,000 *BH (L70)
- Confirmed to PCSS (Panasonic Corporation Safety Standards)
- Optics : Polycarbonate Diffuser
- With Driver

Application areas

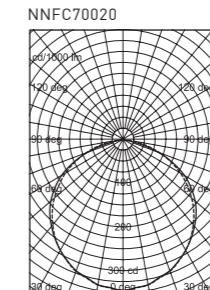
- Offices
- Schools
- Conference
- Banks
- BPO
- Hospitals

| | 20W | 39W | 53W |
|--------|---------------------|---------------------|---------------------|
| Type | 2000 Type | 4000 Type | 6000 Type |
| 4000K | NNFC20005 1960lm | NNFC40005 3290lm | NNFC60005 5580lm |
| 5000K | NNFC20055 2000lm | NNFC40055 4000lm | NNFC60055 6000lm |
| 6500K | NNFC20105 1940lm | NNFC40105 3880lm | NNFC60105 5820lm |
| Weight | 9.2kg | | |

Recessed type Square



Photometric data



Ra 80 IP 20

- Input Voltage : AC220V ±10%, 50/60Hz
- Long life of LEDs 50,000 *BH (L70)
- Confirmed to PCSS (Panasonic Corporation Safety Standards)
- Optics : Polycarbonate Diffuser
- With Driver

Application areas

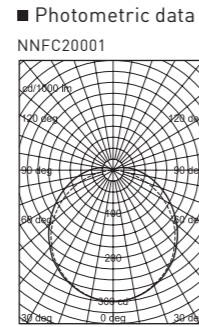
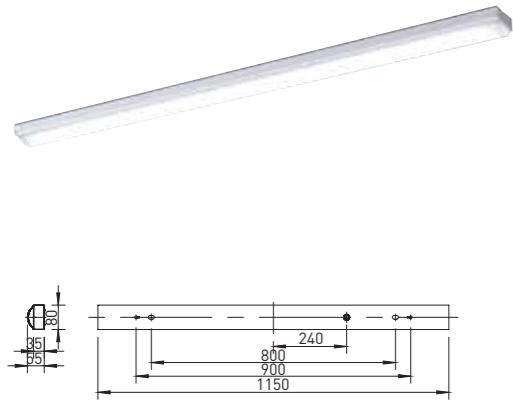
- Offices
- Schools
- Conference
- Banks
- BPO
- Hospitals

| | 30W | 59W | 77W |
|--------|---------------------|---------------------|---------------------|
| Type | 3000 Type | 6000 Type | 9000 Type |
| 4000K | NNFC70020 2940lm | NNFC70021 5880lm | NNFC70022 8330lm |
| 5000K | NNFC70070 3000lm | NNFC70071 6000lm | NNFC70072 8500lm |
| 6500K | NNFC70120 2910lm | NNFC70121 5820lm | NNFC70123 8245lm |
| Weight | 7.6kg | | |

• Due to continuous improvements in the product design, development and the manufacturing methods, the product may differ in some respect from the details provided herein. Current details should therefore be checked with the company.

PROiD

Surface mounted Batten type



Ra 80 IP 20

- Input Voltage : AC220V ±10%, 50/60Hz
- Long life of LEDs 50,000* BH (L70)
- Confirmed to PCS (Panasonic Corporation Safety Standards)
- Optics : Polycarbonate Diffuser
- With Driver

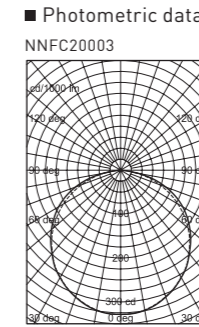
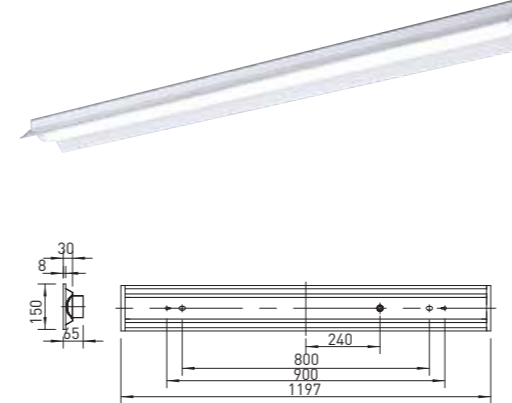
Application areas

- Offices Schools Conference
Banks BPO Hospitals

| | 20W | 39W | 53W |
|--------|---------------------|---------------------|---------------------|
| Type | 2000 Type | 4000 Type | 6000 Type |
| 4000K | NNFC20001 1960lm | NNFC40001 3290lm | NNFC60001 5580lm |
| 5000K | NNFC20051 2000lm | NNFC40051 4000lm | NNFC60051 6000lm |
| 6500K | NNFC20101 1940lm | NNFC40101 3880lm | NNFC60101 5820lm |
| Weight | 10.5kg | | |

PROiD

Surface mounted Reflector type



Ra 80 IP 20

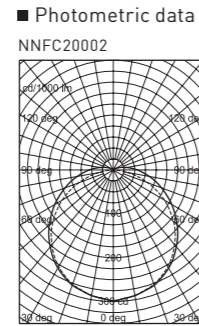
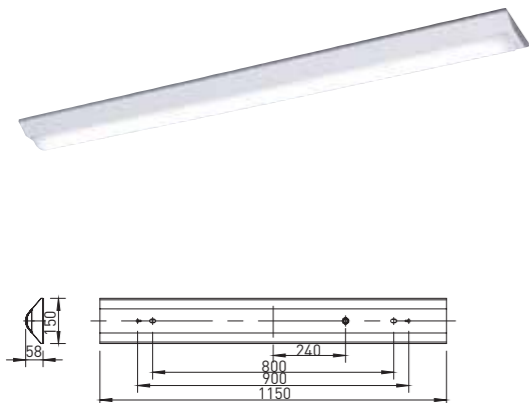
- Input Voltage : AC220V ±10%, 50/60Hz
- Long life of LEDs 50,000* BH (L70)
- Confirmed to PCS (Panasonic Corporation Safety Standards)
- Optics : Polycarbonate Diffuser
- With Driver

Application areas

- Offices Schools Conference
Banks BPO Hospitals

| | 20W | 39W | 53W |
|--------|---------------------|---------------------|---------------------|
| Type | 2000 Type | 4000 Type | 6000 Type |
| 4000K | NNFC20003 1960lm | NNFC40003 3290lm | NNFC60003 5580lm |
| 5000K | NNFC20053 2000lm | NNFC40053 4000lm | NNFC60053 6000lm |
| 6500K | NNFC20103 1940lm | NNFC40103 3880lm | NNFC60103 5820lm |
| Weight | 8.4kg | | |

Surface mounted V-Shape type



Ra 80 IP 20

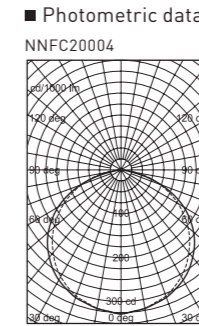
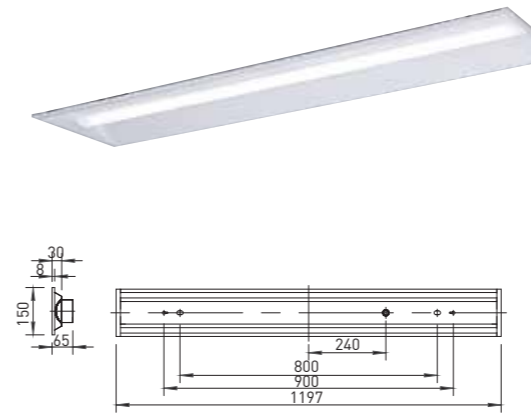
- Input Voltage : AC220V ±10%, 50/60Hz
- Long life of LEDs 50,000* BH (L70)
- Confirmed to PCS (Panasonic Corporation Safety Standards)
- Optics : Polycarbonate Diffuser
- With Driver

Application areas

- Offices Schools Conference
Banks BPO Hospitals

| | 20W | 39W | 53W |
|--------|---------------------|---------------------|---------------------|
| Type | 2000 Type | 4000 Type | 6000 Type |
| 4000K | NNFC20002 1960lm | NNFC40002 3290lm | NNFC60002 5580lm |
| 5000K | NNFC20052 2000lm | NNFC40052 4000lm | NNFC60052 6000lm |
| 6500K | NNFC20102 1940lm | NNFC40102 3880lm | NNFC60102 5820lm |
| Weight | 7.6kg | | |

Recessed type W150



Ra 80 IP 20

- Input Voltage : AC220V ±10%, 50/60Hz
- Long life of LEDs 50,000* BH (L70)
- Confirmed to PCS (Panasonic Corporation Safety Standards)
- Optics : Polycarbonate Diffuser
- With Driver

Application areas

- Offices Schools Conference
Banks BPO Hospitals

| | 20W | 39W | 53W |
|--------|---------------------|---------------------|---------------------|
| Type | 2000 Type | 4000 Type | 6000 Type |
| 4000K | NNFC20004 1960lm | NNFC40004 3290lm | NNFC60004 5580lm |
| 5000K | NNFC20054 2000lm | NNFC40054 4000lm | NNFC60054 6000lm |
| 6500K | NNFC20104 1940lm | NNFC40104 3880lm | NNFC60104 5820lm |
| Weight | 13.8kg | | |

CASE STUDIES



CRESTRON

PROJECT NAME

Crestron Electronics India Pvt. Ltd. (Bangalore Office)

ADDRESS

#494, 1st Cross Road 1st Stage, 4th Block HBR Layout,
Hennur Bellary Road, Bangalore 560043. India
T: +91.80.2544.0725 | E: india@crestronasia.com

INSTALLED ITEM (Code & Quantity)

Not so many dark point/Flat Space.
Harmonize with Interior and make it Elegant Space

LIGHTING CONCEPT

Lighting plays an important part in a workspace. With Panasonic lighting solutions, we have created a very comfortable ambience for people to work in.

AMBIENCE

Lighting for an office plays an important part as it directly affects productivity. Our lighting solutions needed to be bright yet not too harsh.

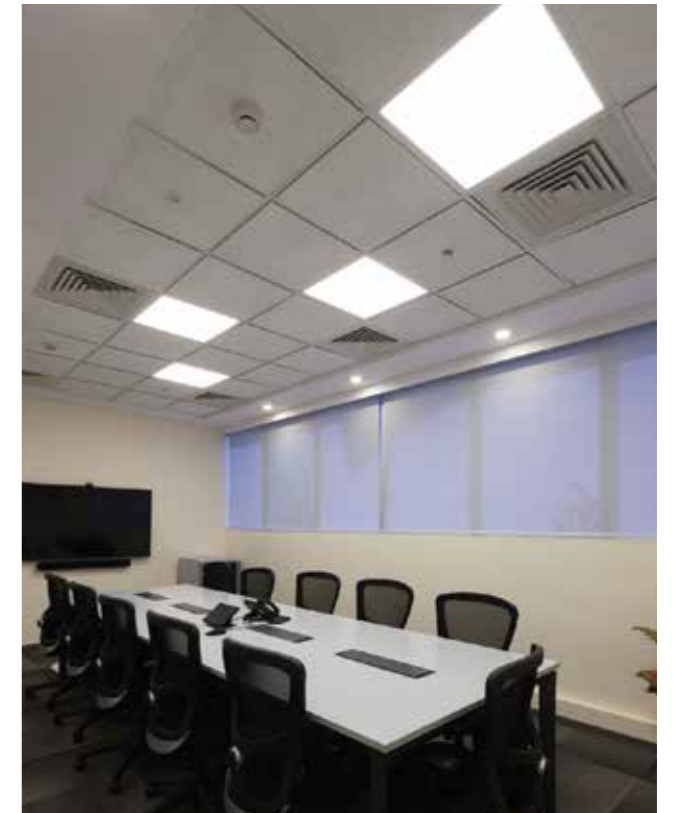


Mr. Yashodhar Reddy

TESTIMONIAL

We execute turn key projects on office spaces and hi-end residential automation across India. Since Panasonic LED India launch, we have been using Panasonic Luminaries in my various projects.

Designers get design options in selecting fittings. The performance of every Panasonic LED till now used in our project is very good and have never failed in sites. Also have a good technical and sales support and the delivery is always on time. The quality consistency is too good. That's why I have decided to only use Panasonic LEDs in all my future projects.





BRIGADE



PROJECT NAME

Brigade Exotica Residence Block 1

ADDRESS

Sy.Nos. 35 and 36/1 (P) of Bandapura Bidarahalli Hobli, Hoskote Taluk. Bangalore - 560 058

INSTALLED ITEM (Code & Quantity)

1,140 Nos. of 15W 3000K Circular Recess Panel Light APA02R153

LIGHTING CONCEPT

M/s Brigade Enterprises Limited prefers to have Luminaires with CT 3000K in all their Projects and area of application.

Panasonic LED Luminaires are their 1st preferred choice for Indoor application in all their ongoing and upcoming Project.

ANCHOR

PROJECT NAME

Anchor Electricals Pvt. Ltd.

ADDRESS

3rd Floor, B Wing, I-Think Techno Campus, Pokhran Road No. 2, Thane (W), Thane 400 607. Maharashtra
T: (9122) 30418888 | W: www.anchor-world.com

INSTALLED ITEM (Code & Quantity)

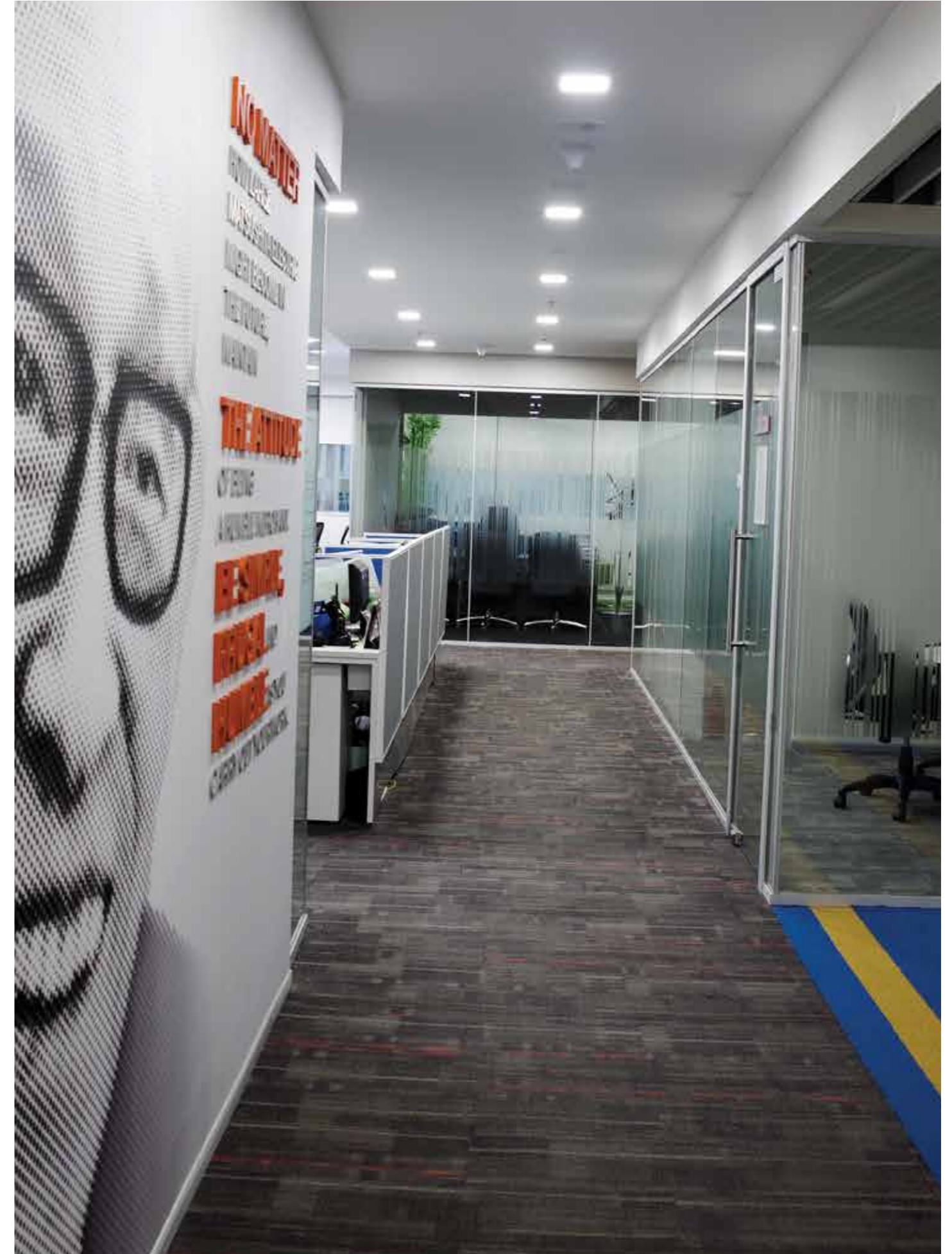
700 Nos. of 40W 6000K 2x2 Base Light
ABL12B406

LIGHTING CONCEPT

Our lighting solutions needed to be bright yet not too harsh. Hence harmonize with Interior and make it Elegant Space.

AMBIENCE

Lighting for an office plays an important part as it directly enhances productivity and contributes to comfortable, flexible and stimulating working environment.



HEAD / REGIONAL OFFICES

EAST

Anchor Electricals Pvt. Ltd.
4th Floor, Block " C ", Apeejay House
15, Park Street, Kolkata, West Bengal - 700 016.
Tel.: 033 32219196

WEST (H.O.)

Anchor Electricals Pvt. Ltd.
3rd Floor, B Wing I-Think Techno Campus,
Pokhran Road No. 2, Thane (W)
Thane - 400607. Maharashtra | Tel: (9122) 30418888

STATE / SALES OFFICES

NORTH-1

CHANDIGARH

Anchor Electricals Pvt. Ltd.
S.C.F., 221, 2nd Floor, Motor Mkt.,
Manimajra, Chandigarh - 160101,
Tel: 0172-3255715

AMRITSAR

Anchor Electricals Pvt. Ltd.
45, Deep Complex, Court Road,
Amritsar, Punjab - 143001
Tel: 0183-3292567

NORTH-2

RAJASTHAN

Anchor Electricals Pvt. Ltd.
224-225, 2nd Floor, Ganpati Plaza
M.I. Road Jaipur, Rajasthan - 302001
Tel: 0141-3007666 / 2331369

KOTA

Anchor Electricals Pvt. Ltd.
Office No. 6, Plot No. 621, 1st Floor,
Mukesh Plaza, Dadabari, Kota,
Rajasthan - 324007,
Tel: 0744-2500368

KANPUR

Anchor Electricals Pvt. Ltd.
708, Kan Chamber, 7th Floor,
14/113, Civil Line, Kanpur,
Uttar Pradesh - 208001
Tel: 0512-3197999

EAST-1

WEST BENGAL

1st Floor, Hanshara House,
Beside City Mall (Bazar Kolkata),
Sevoke Road, Siliguri - 734001
Tel.: 96749 44357

EAST-2

BIHAR

Anchor Electricals Pvt. Ltd.
F-1, 1st Floor, Gitanjali Palace, Jamal
Road, Patna, Bihar - 800001
Tel: 0612-3297075

JAMMU

Anchor Electricals Pvt. Ltd.
85/1-1st Floor, Trikuta Nagar,
Jammu - 180012
Tel: 0191-2470735 / 2470736

UTTARAKHAND

Anchor Electricals Pvt. Ltd.
Khasra No : 332-333-335 & 339,
1st Floor, Main Saharanpur Road,
Niranjanpur, Opp : Institute of
Hotel Management, HCL Compound,
Dehradun - 248 001
Tel: 0135-3241686

UDAIPUR

Anchor Electricals Pvt. Ltd.
4C/201, Riddhi Siddhi
Complex, Madhuvan, Udaipur,
Rajasthan - 313001
Tel: 0294-2422412

UTTAR PRADESH

Anchor Electricals Pvt. Ltd.
201, Govinda Building, 1-A,
Shahnajaf Road, Hazratganj,
Lucknow, Uttar Pradesh - 226001
Tel: 0522-3920999

ALLAHABAD

Anchor Electricals Pvt. Ltd.
2nd Floor, 6C/1A, Bhagwan Ram
Mandir Marg, Strachy Road,
Pratap Tower, Civil Lines,
Allahabad, Uttar Pradesh - 211001
Tel: 09235444099

ASSAM

Anchor Electricals Pvt. Ltd.
Duhang Arcade 2A, 2nd Floor,
G. S Road, Tarun Nagar,
Opp. Dona Planet, Guwahati, Assam -781005
Tel: 0361-2450577

ODISHA

Anchor Electricals Pvt. Ltd.
2nd Floor, Creative Plaza, Rasulgarh
Square, Mouzabomikhal,
Bhubaneswar, Odisha - 751010.
Tel: 0674-3240109

NORTH

Anchor Electricals Pvt. Ltd.
6th Floor, TDI Centre, Jasola District, New Delhi - 110025
Tel.: 011 46006400

SOUTH

Anchor Electricals Pvt. Ltd.
No. 8-12, III Floor, Prestige Nebula - II, Infernity Road,
Bangalore, Karnataka - 560001 | Tel: 080-30284400-40

KASHMIR

Anchor Electricals Pvt. Ltd.
SRINAGAR (NEW ADDRESS)
Opp : Chief Engineers Office MES,
Sonwar , Srinagar - 190001
Tel.: 0194 2470489

HALDWANI

Anchor Electricals Pvt. Ltd.
Shop No. U-28, Upper Ground Floor
Phase - 1, Durga City Centre
Haldwani - 263 141
Tel.: 05946 220175

JODHPUR

Anchor Electricals Pvt. Ltd.
308, 308A, Aggarwal Tower,
3rd Floor, Sardarpura B Road,
Jodhpur, Rajasthan - 342001
Tel: 0291-2651000

VARANASI

Anchor Electricals Pvt. Ltd.
P. N. 204, H No. C-27/ 274 A-3,
S-1, 2nd Floor, Dr. Jai Singh
Building, Maldahiya, Varanasi,
Uttar Pradesh - 221001
Tel: 09307142565

SAMBALPUR

Anchor Electricals Pvt. Ltd.
Quality Mansion, 1st Floor,
Nayapada, Sambalpur,
Odisha - 768001
Tel: 09337780450

PUNJAB

Anchor Electricals Pvt. Ltd.
89, Lodhi tower, Mall Road
Ludhiana, Punjab - 141001
Tel: 0161-4630796/3292567

JHARKHAND

Anchor Electricals Pvt. Ltd.
509, 5th Floor, R. R Tower, Opp.
Akashwani, Ratu Road, Ranchi,
Jharkhand - 834005.
Tel: 0651-3241617

WEST-1

GOA

Anchor Electricals Pvt. Ltd.
403, Gera Imperium II, 4th Floor,
Patto Panjim, Goa - 403001
Tel: 0832-3294189 / 3193131

AURANGABAD

Anchor Electricals Pvt. Ltd.
Plot No. 8, Raj Tower, 2nd Floor,
Near Angethi Hotel, Jalna Road,
Aurangabad - 431001
Tel: 0240-6500200

KALBADEVI ROAD

Anchor Electricals Pvt. Ltd.
C-369/485, Takwadi, Behind
Bank of India, 485, Kalbadevi Road,
Mumbai - 400002
Tel: 022-39567073

WEST-2

CHHATTISGARH

Anchor Electricals Pvt. Ltd.
316-317 (A to E), Ravi Bhavan,
3rd Floor, Jaistambh Chowk,
Raipur - 492001
Tel: 0771-3291701

RAJKOT

Anchor Electricals Pvt. Ltd.
Office No. 502, 5th Floor, King's Plaza,
Astrone Chowk, Sardar Nagar,
Main Road, Rajkot,
Gujarat - 360001
Tel: 0281-3010400

SOUTH-1

TELANGANA

Anchor Electricals Pvt. Ltd.
G2 1-8 384/385, Gowra Grand,
S. P. Road, Begumpet,
Secunderabad,
Andhra Pradesh - 500003
Tel: 040-30482989 / 2999

HUBLI

Anchor Electricals Pvt. Ltd.
A/122-146, 2nd Floor, Mahalaxmi
Mansion, Above Axis Bank,
New Cotton Market,
Despande Nagar, Hubli - 580029
Tel: 0836-3296694

SOUTH-2

KERALA

Anchor Electricals Pvt. Ltd.
K. P. Varkey & Madathiparambi
Complex, 1st Floor, 351/1085 D,
Palarivattom, Cochin - 683525
Tel: 0484-3951000 / 01

PONDICHERRY

Anchor Electricals Pvt. Ltd.
201, 1st Floor, Mission Street,
Pondicherry - 605001
Tel: 0413-3190071 / 3190081

SHOWROOM ADDRESS

MUMBAI

Units No.3 and 4A Situated at
The Link (Jay Prabhat Co-operative
Housing Society Ltd.),Sahakar Nagar,
Link Road, Near Audi Showroom,
Andheri(West), Mumbai - 400053.

PUNE

Anchor Electricals Pvt. Ltd.
Fifth Avenue, Office No.E4-A&B,
4th Floor, Dhole Patil Road,
Pune - 411001 Tel: 020-66207260

KOLHAPUR

Anchor Electricals Pvt. Ltd.
1st Floor, Office No. 4, Namdev Nest
Above Axis Bank, Opp. Kamla College
Rajarampuri, Takala, C. S. No. 1160B
Kolhapur-416001
Tel: 0231-6050945

NAGPUR

Anchor Electricals Pvt. Ltd.
Tapashiya, 1st Floor, Near Rahale
Hospital, Adamsha Chawk,
Nagpur - 440008
Tel: 09370430999

GUJARAT

Anchor Electricals Pvt. Ltd.
304, 3rd Eye one complex, Opp.
Havmor Restaurant, Panchvati, C.G.
Road, Ahmedabad, Gujarat - 380006
Tel: 079-30063870 / 26460172

MADHYA PRADESH

Anchor Electricals Pvt. Ltd.
206-208, Darshan Mall, 2nd Floor,
Above HSBC Bank, 15/2, Race
Course Road, Indore,
Madhya Pradesh - 452003.
Tel: 0731-3952501 / 05

BANGALORE

Anchor Electricals Pvt. Ltd.
Prestige Nebula - II, 3rd Floor
Block 2nd, Infernity Road, Cubbon Rd
Bengaluru - 560001
Tel: 080-30284400 / 01

ANDHRA PRADESH

Anchor Electricals Pvt. Ltd.
Door No.49/1015, V.N.R.Tower,
2nd Floor, Labbipet Krishna,
Vijaywada - 520010
Tel: 0866-3056789

TAMILNADU

Anchor Electricals Pvt. Ltd.
Level 3, Ispahani Centre, 123-124,
Nungambakkam High Road,
Chennai, Tamilnadu - 600034
Tel: 044-30261700 / 01

BENGALURU

#40/1, Ground Floor,
Vittal Mallya Road,
Bengaluru - 560 001

NAVI MUMBAI

Anchor Electricals Pvt. Ltd.
Arenja Corner, 3rd Floor, 301,
Sector 17, Vashi, Navi Mumbai,
Maharashtra - 400703
Tel: 022-65551316

THANE

Anchor Electricals Pvt. Ltd.
501, 5th Floor, Ace Business Centre,
LBS Marg, Castle Mill, Near Navneet
Motors, Thane (W) - 400602.
Tel: 022-32624527

NASHIK

Anchor Electricals Pvt. Ltd.
Archit Icon,1st Floor, Patil Lane Road,
Nashik - 422005.
Tel.: 91678 36843

SURAT

Anchor Electricals Pvt. Ltd.
403, 4th Floor, Union Trade Centre,
Beside Apple Hospital, Udhana
Darwaja, Ring Road, Surat,
Gujarat - 395002
Tel: 0261-3002008 / 0261-3002009

BHOPAL

Anchor Electricals Pvt. Ltd.
5, Zone - 1, 1st Floor, CitiBank Road,
Opp Hotel Residency, M. P. Nagar,
Bhopal, Madhya Pradesh - 462011.
Tel: 0755-3061815 / 3061816

MANGALORE

Anchor Electricals Pvt. Ltd.
225, 1st Floor, Ideal Tower
Opp Saravu Ganpathi Temple
Hampanakatta,
MANGLORE - 575 001
Tel.: 93411 91091

COIMBATORE

Anchor Electricals Pvt. Ltd.
Balavasantha Complex, No.1
Bharthi Park, Cross Road 2,
NSR Road, Saibaba Colony
Coimbatore - 641 011
Tel.: 0422 3226214/17

NANDED

Anchor Electricals Pvt. Ltd.
101 Millennium Tower, Bhawsar
Chowk, Malegaon Road,
Taroda Naka, Nanded - 431605
Tel: 02462-266855

VADODARA

Anchor Electricals Pvt. Ltd.
306, Atlantis, Near Croma, Genda
Circle Road, Vadodara,
Gujarat - 390007
Tel: 0265-6541992

MYSORE

Anchor Electricals Pvt. Ltd.
Nakshatra, No. 858/859,
CS 20 K. R. Mohalla, Narayana
Shastry Road, Mysore,
Karnataka - 570024
Tel.: 0821 3248484

MADURAI

Anchor Electricals Pvt. Ltd.
Wise House, Door No.109
Vakil New Street, Madurai,
Tamilnadu - 625001
Tel: 0452-3720898 / 99